



Fence & Gate HARDWARE

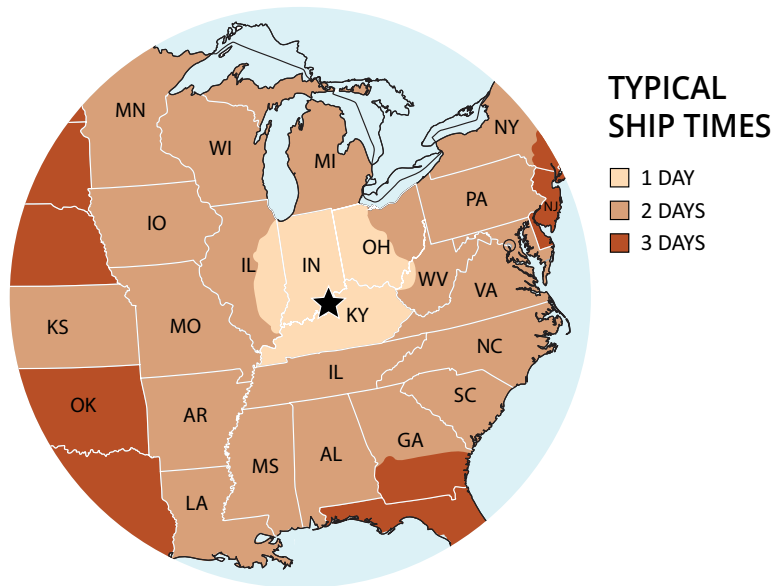




Thank you for your interest in our fence hardware product line. As you browse this catalog, you will find it contains the most common hardware components used in the fence industry. We offer solutions for your wood, vinyl, ornamental, and chain link gate hardware requirements.

We ship out of our primary warehouse located in Jeffersonville, Indiana (Louisville, KY Metro). Most standard components typically ship from stock the same or next day after you place your order. Based on our proven track record, we are positive that you will be pleased with our products and customer service.

We invite you to visit our website to see the hardware shown in this catalog, plus much more. If you have a question or need assistance in any way, please feel free to contact our efficient and friendly customer service/sales department.



2822 Sable Mill Road
Silver Creek Business Center
Jeffersonville, IN 47130 USA

Tel: 877-338-9403
Fax: 812-288-7971
1stSourceFence.com

POLYMER ROLLERS

- High quality nylon roller
- Sealed for life bearings
- Adjustable shaft
- 5-year warranty
- Polyurethane integral safety cover

Part #	Description
JFC-400	4" polymer roller without safety cover. Fits 4" post and 2.5" gate rail.
JFC-450	4" polymer roller with safety cover. Fits 4" post and 2.5" gate rail.
JFC-500	4" square to square polymer roller without safety cover. Fits 4" post.
JFC-550	4" round to square polymer roller without safety cover. Fits 4" round post.
JFC-750	6-5/8" polymer roller without safety cover. Fits 6-5/8" post and 2.5" gate rail.

STEEL ROLLERS

- High quality galvanized steel
- Sealed for life bearings
- Adjustable shaft
- 5-year warranty
- Optional integral safety cover

Part #	Description
JFC-100	4" steel roller without safety cover. Fits 4" post and 2.5" gate rail.
JFC-110	4" steel roller with top safety cover. Fits 4" post and 2.5" gate rail.
JFC-120	4" steel roller with bottom safety cover. Fits 4" post and 2.5" gate rail.
JFC-200	3" steel roller without safety cover. Fits 3" post and 2.5" gate rail.
JFC-300	2.5" steel roller without safety cover. Fits 2.5" post and 1-5/8" gate rail.

SAFETY COVERS

Part #	Description
JFC-600	Universal safety cover

ASTM standards require safety covers on all cantilever rollers. 1st Source Products recommends this universal, ASTM-approved, polyurethane safety cover for all unguarded rollers.



Steel Cantilever Roller
without Cover



Steel Cantilever Roller
with Top Cover



Universal
Safety Cover



Polymer Cantilever Roller
with Bottom Cover

GATE LATCHES

Part #	Description
DM4-38204	Standard Gravity Latch
DM4-38308	Standard Post Latch
DM4-38310Q	Contemporary Post Latch
DM4-38204AQ	90 Degree Strike Latch

- All wood gate hardware is powder coated black and includes all necessary mounting hardware.
- Various wood gate hardware components are available in powder coated white finish.
- More wood gate hardware components are available on our website.

*Contemporary
Post Latch*



*Standard
Gravity Latch*



*Standard
Post latch*



DROP RODS

Part #	Description
DM4-38305-18Q	18" Heavy Duty Drop Rod
DM4-38305-24Q	24" Heavy Duty Drop Rod
DM4-38305-36Q	36" Heavy Duty Drop Rod

- 5/8" Diameter
- Screws included
- Dual guides
- Pad-lockable
- Retention ears for theft protection



Drop Rod

HINGES

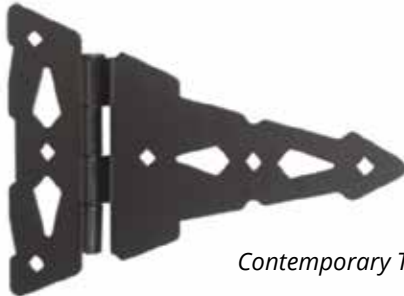
Part #	Description
DM4-38943Q	8" Butterfly Hinge
DM4-38944Q	8" Contemporary Double Strap Hinge
DM4-38945Q	8" Contemporary T Hinge



Contemporary Double Strap Hinge



Butterfly Hinge



Contemporary T Hinge

Part #	Description
DM5-38950NSSB	SS Hinge, Non Self-Closing, Horizontal Adjustable, Standard to Standard
DM5-38951NSSB	SS Hinge, Non Self-Closing, Horizontal Adjustable, Standard to Narrow
DM5-171NASCA-SSB	SS Self Closing Hinge, Horizontal Adjustable, Standard to Narrow
DM6-38965-BK	Hinge, Non Self-Closing, Horizontal Adjustable, Standard to Narrow (*Zinc plated carbon steel.)

HINGES

- All vinyl gate hardware is powder coated black and includes all necessary mounting hardware.
- Various vinyl gate hardware components are available in powder coated white finish.
- More vinyl gate hardware components are available on our website.



SS Self Closing Hinge



S Hinge, Non Self-Closing

DROP RODS

Part #	Description
DM5-38305N-18SS	18" Heavy Duty Drop Rod, SS
DM5-38305N-24SS	24" Heavy Duty Drop Rod, SS
DM5-38305N-36SS	36" Heavy Duty Drop Rod, SS

- 5/8" Diameter
- Screws included
- Dual guides
- Pad-lockable
- Retention ears for theft protection



Heavy Duty Drop Rod

GATE LATCHES

Part #	Description
DM5-38310N-SSB	Contemporary Gate Latch, SS
DM5-38308NUA-SSB	Standard Post Latch, SS
DM6-38308-BK	Standard Post Latch, CS
DM8-KLADV-M1-BK	Keystone Latch, Metal, One-Sided, Key Lockable w/ SS Screws

- Allows entry from both sides
- Pad-lockable on both sides - up to 5" post
- Return spring for reversible mounting
- Hardware included



Contemporary Gate Latch



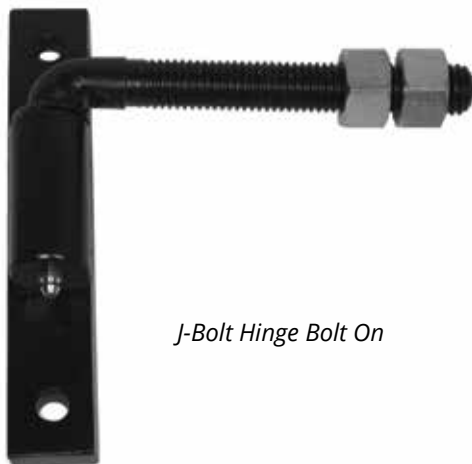
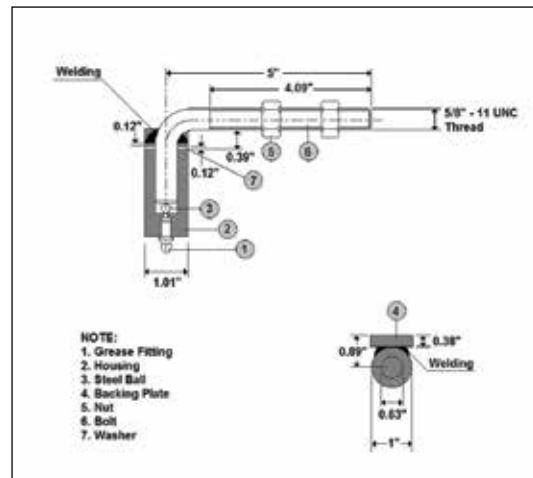
Keystone Latch

J-Bolt Hinges



Part #	Description
JB5A	5" J-Bolt Hinge, Weld On
JB5	5" J-Bolt Hinge, Bolt On
JB7A	7" J-Bolt Hinge, Weld On
JB7	7" J-Bolt Hinge, Bolt On

- Black enamel finish
- Ball bearing for smooth rotation
- Grease fitting
- Weld on or bolt on



J-Bolt Hinge Bolt On



J-Bolt Hinge Weld On

Part #	Description
JEDC-AH1	Polymer Self Closing Hinge 5-3/8" x 6-3/4"
JEDC-SH2	Polymer Self Closing Hinge 5-1/4" x 3-3/4"
JEDC-SH3	Polymer Self Closing Hinge 4" x 2-3/4"
DGL-1	Dual Guard Keyed Lock & Latch
JEPBH-1	Polymer Butt Hinge with SS Pin, 4" x 2-1/4"



*Dual Guard Keyed
Lock & Latch*



Polymer Self Closing Hinge 5-3/8" x 6-3/4"

- Hinges & latches are made with highly durable glass-fiber reinforced polymer material
- All metallic parts are stainless steel
- Completely protects from rain water to ensure smooth operation during freezing temperatures
- Never binds, sags, strains, or rusts
- No lubrication required
- Spring torsion can easily be increased or decreased with the Allen Key provided free with each pair of hinges
- Most suitable for Vinyl and Wood Fence Gates
- Limited lifetime warranty



Polymer Self Closing Hinge 4" x 2-3/4"



Polymer Self Closing Hinge 5-1/4" x 3-3/4"

Pool Safety Latches

Part #	Description
DM8-308-26	The Protector Jr. Magnetic Pool Safety Latch, 10"
DM8-276NE-26	The Protector Magnetic Safety Latch, 19.5"
DM10-AQUA10-BK	AquaLatch with Standard Keeper, 10"
DM10-AQUA10H-BK	AquaLatch with Handle/Keeper, 10"
DM10-AQUA20-BK	AquaLatch with Standard Keeper, 20"
DM10-AQUA20H-BK	AquaLatch with Handle/Keeper, 20"

AQUALATCH

- Heavy duty construction
- Modern design
- Multi-directional leveling for misaligned gates
- Excellent horizontal and vertical adjustability
- Fits right or left handed gates

AquaLatch with Handle/Keeper



The Protector 19.5"

THE PROTECTOR

- Horizontal and vertical adjustment up to 2"
- Reversible for right-hand or left-hand use
- Easy-grip release knob
- Key cylinder is at a 45° angle for easy access
- Extruded aluminum body with glass-filled nylon components
- Packaged in heavy-duty poly bag with stainless steel screws
- Available in 19.5" and 10"
- Color options are Black & White



The Protector Jr.

Part #	Description
DM8-OM-L-BK	OrnaMag Magnetic Gate Latch
DM8-149-26	4" Non Self-Closing Aluminum Hinge
DM8-093-26	4" Self-Closing Aluminum Hinge

ORNAMAG

- Accommodates up to 2" gate post profile
- Key locking
- Reversible for right-hand or left-hand use
- Self-drilling stainless steel screws and self-drilling steel screws included
- Great for double drive gates



OrnaMag Magnetic Gate Latch



Self-Closing Hinge

SELF-CLOSING ALUMINUM HINGES

Tension adjustment wrench and barrel caps included



Non Self-Closing Hinge



2822 Sable Mill Road
Silver Creek Business Center
Jeffersonville, IN 47130 USA

Tel: 877-338-9403

Fax: 812-288-7971

1stSourceFence.com

Fence & Gate HARDWARE

