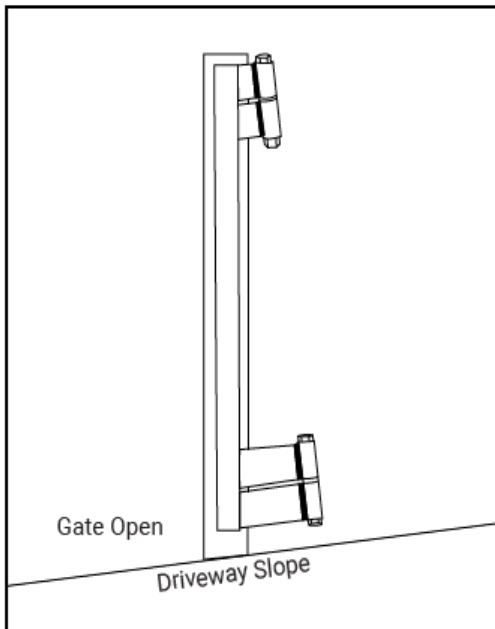
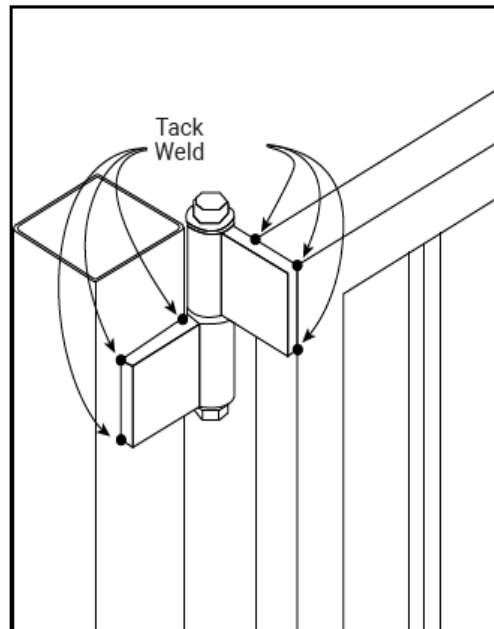


Installation Instructions

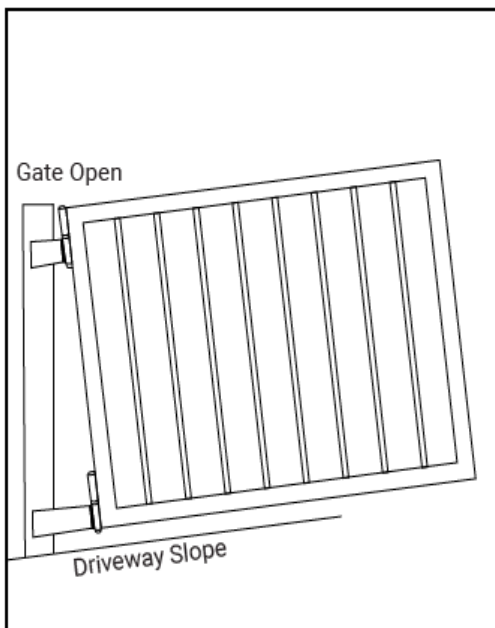
Uphill Hinge Installation Guide



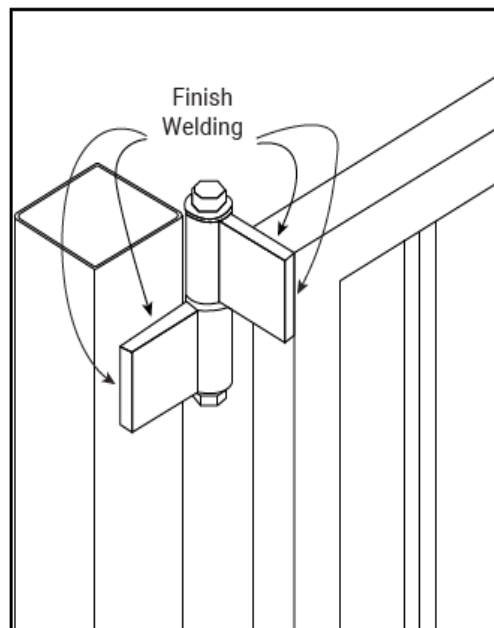
Step 1: Place gate in closed position. Align hinges to the driveway slope. Be sure hinges are aligned with each other.



Step 2: Tack weld top plate to gate. Tack weld bottom plate to post. Support gate while welding to insure no sagging occurs.



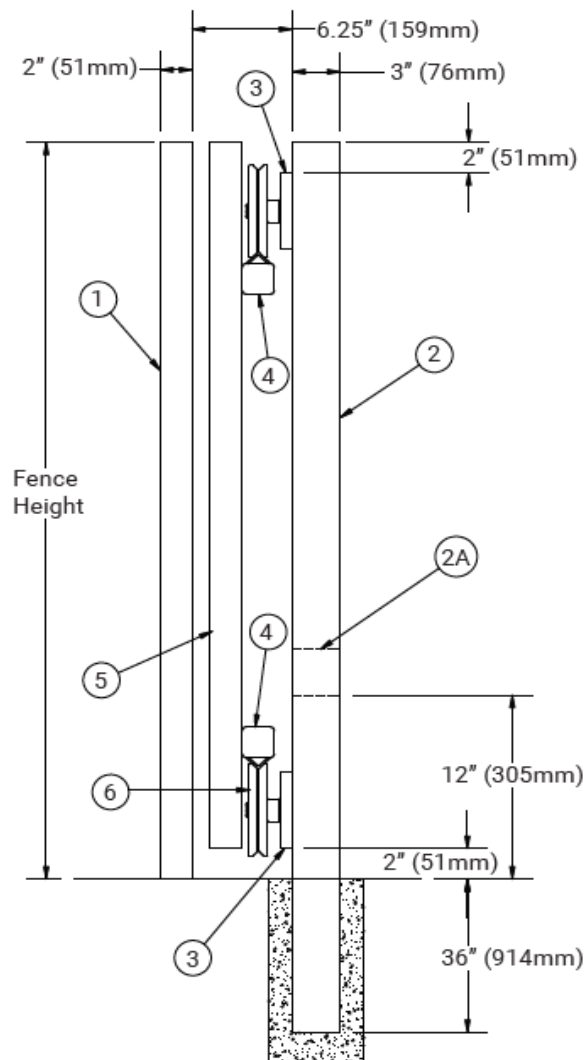
Step 3: Swing open the gate to test alignment. If welds do not hold, hinges are not properly aligned. Repeat from step one.



Step 4: If tack welds hold, hinge may be completely welded. Support gate while welding to insure no sagging occurs.

Installation Instructions

Full Cantilever Gate System - 4 Wheel System



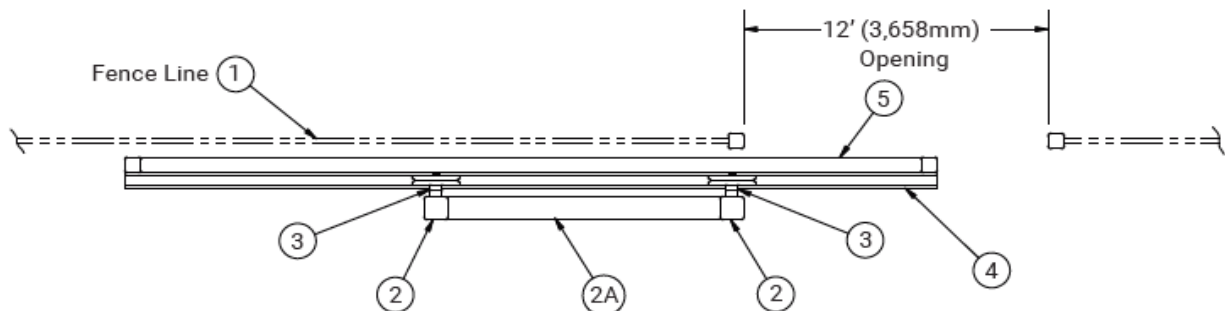
GATE SYSTEM SPECIFICATIONS:

- ① FENCE LINE
- ② TWO POSTS: 3 x 3 x 3/16" (76x76x5mm),
4 x 4 x 3/16" (102x102x5mm), OR
6 x 6 x 3/16" (152x152x5mm)
- ②A CONNECT TWO POSTS WITH RAIL
(CAN BE USED FOR OPERATOR MOUNT)
- ③ 4 CANTILEVER WHEEL ASSEMBLIES WELD
TO POST
- ④ TWO 2 x 2 CANTILEVER RAILS EITHER
WELDED OR BOLTED TO GATE FRAME
- ⑤ GATE FRAME WITH SUPPORT PANEL
POSTS: 3 X 3" (76x76mm),
UP TO 12' (3,658mm) OPENING

4 x 4" (102x102mm),
UP TO 22' OPENING

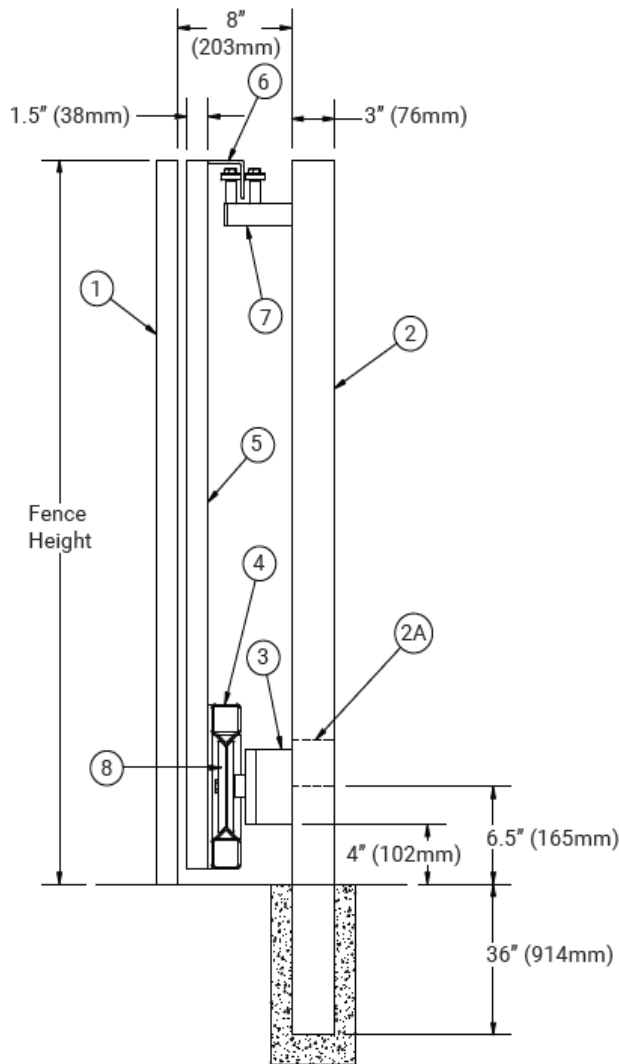
6 x 6" (152x152mm),
OVER 22' (6,700mm) OPENING

SUPPORT PANEL LENGTH UP TO
12' (3,658mm) OPENING
- ⑥ FOR CANTILEVER WHEEL ASSEMBLIES, USE
CI2240 FOR 4" (102mm) WHEELS AND CI2260
FOR 6" (152mm) WHEELS



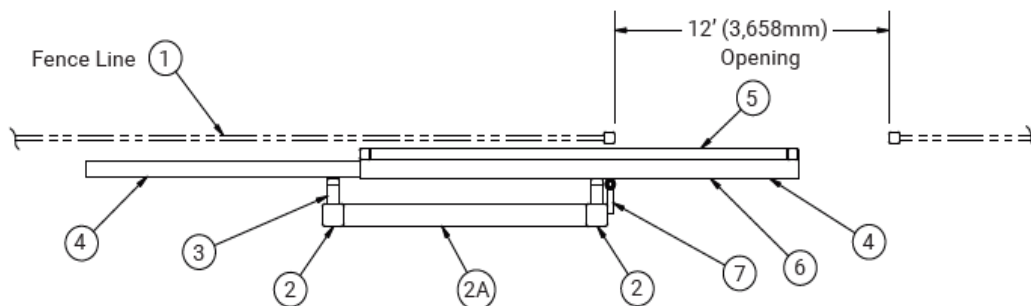
Installation Instructions

Full Cantilever Gate System-Weld/Bolt-On Rail



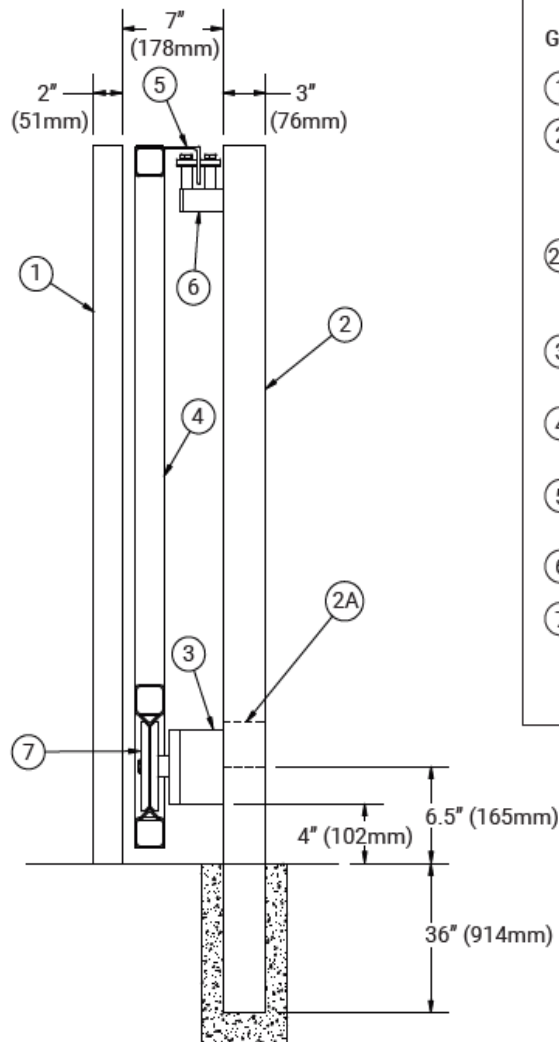
GATE SYSTEM SPECIFICATIONS:

- ① FENCE LINE
- ② 3 x 3 x 3/16" (76x76x5mm) OR
4 x 4 x 3/16" (102x102x5mm) POST
(1 POST AT FENCE HEIGHT)
(1 POST 24" (610mm) ABOVE GRADE)
- ②A CONNECT TWO POSTS WITH RAIL 6.5"
(165mm) UP FROM GRADE (CAN BE USED
FOR OPERATOR MOUNT)
- ③ CANTILEVER BRACKET WITH 2.5" (64mm)
EXTENSIONS (2 TOTAL)
- ④ CANTILEVER RAIL EITHER WELDED OR BOLTED
ON TO GATE FRAME
- ⑤ GATE FRAME
- ⑥ 2.5 x 2.5 x 3/16" (64x64x5mm) CONTINUOUS
ANGLE WELD TO GATE FOR GUIDE
- ⑦ WELD GUIDE ASSEMBLY CI2300 OR CI2350
(EXTENDED VERSION) TO GUIDE POST
- ⑧ FOR CANTILEVER WHEEL ASSEMBLIES, USE
CI2240 FOR 4" (102mm) WHEELS AND CI2260
FOR 6" (152mm) WHEELS



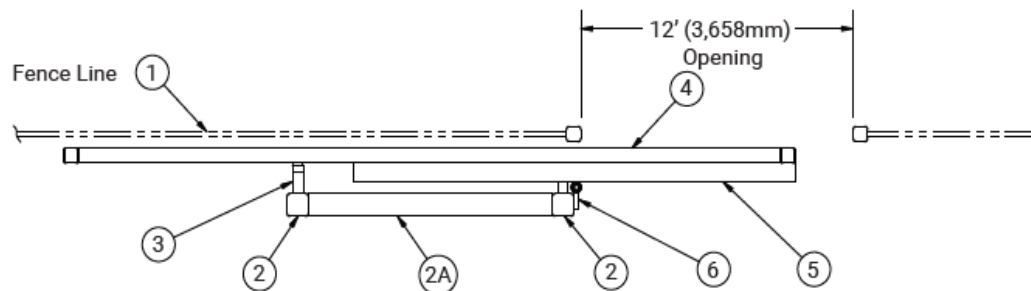
Installation Instructions

Full Cantilever Gate System-Built-In



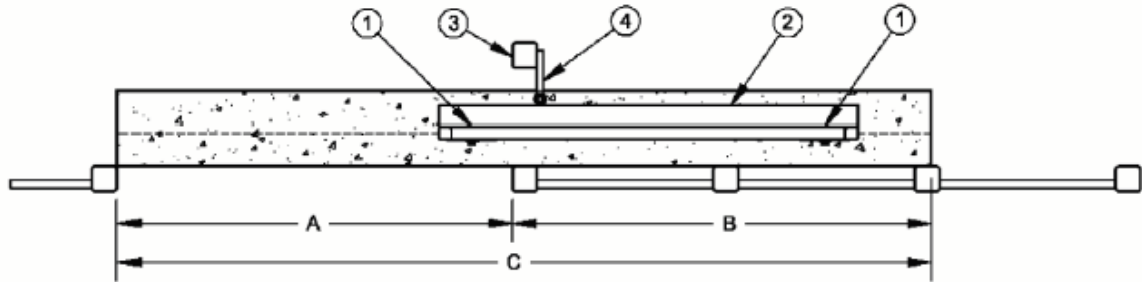
GATE SYSTEM SPECIFICATIONS:

- ① FENCE LINE
- ② 3 X 3 X 3/16" (76x76x5mm) OR 4 X 4 X 3/16" (102x102x5mm) POST
(1 POST AT FENCE HEIGHT)
(1 POST 24" (610mm) ABOVE GRADE)
- ②A CONNECT TWO POSTS WITH RAIL 6.5" (165mm) UP FROM GRADE (CAN BE USED FOR OPERATOR MOUNT)
- ③ CANTILEVER BRACKET WITH 3" (76mm) EXTENSIONS (2 TOTAL)
- ④ GATE FRAME WITH CANTILEVER RAIL USED AS PART OF FRAME
- ⑤ 2.5 X 2.5 X 3/16" (64x64x5mm) CONTINUOUS ANGLE WELD TO GATE FOR GUIDE
- ⑥ COUNSEL GUIDE WELD TO GUIDE POST
- ⑦ FOR CANTILEVER WHEEL ASSEMBLIES, USE CI2240 FOR 4" (102mm) WHEELS AND CI2260 FOR 6" (152mm) WHEELS



Installation Instructions

Full Threshold Style



1. FULL CEMENT THRESHOLD: A 12 X 12" (305X305mm) THRU OPENING
B 8 X 8" (203X203mm) BEHIND FENCE, ADJUST LENGTH FOR OPERATORS
2. SLOPE THRU C SHOULD NOT DEVIATE MORE THAN 1½" (38mm) VERTICALLY

GATE SYSTEM SPECIFICATIONS:

TWO V-GROOVE WHEELS IN BOTTOM RAIL

A. 4" (102mm) FOR RESIDENTIAL, PART# CI2515,
USE 1½ X 3" (38-76mm) BOTTOM RAIL

B. 6" (152mm) FOR COMMERCIAL, PART# CI2720,
USE 2 X 4" (51-102mm) BOTTOM RAIL

2½ X 2½ X ¾ (64X64X5mm) CONTINUOUS ANGLE FULL LENGTH
OF GATE HEIGHT LOCATION CAN VARY PER GATE DESIGN

GUIDE POST: MIN. 3 X 3 X .120" (76X76X3mm) WALL

GUIDE ASSEMBLY: PART# CI2300

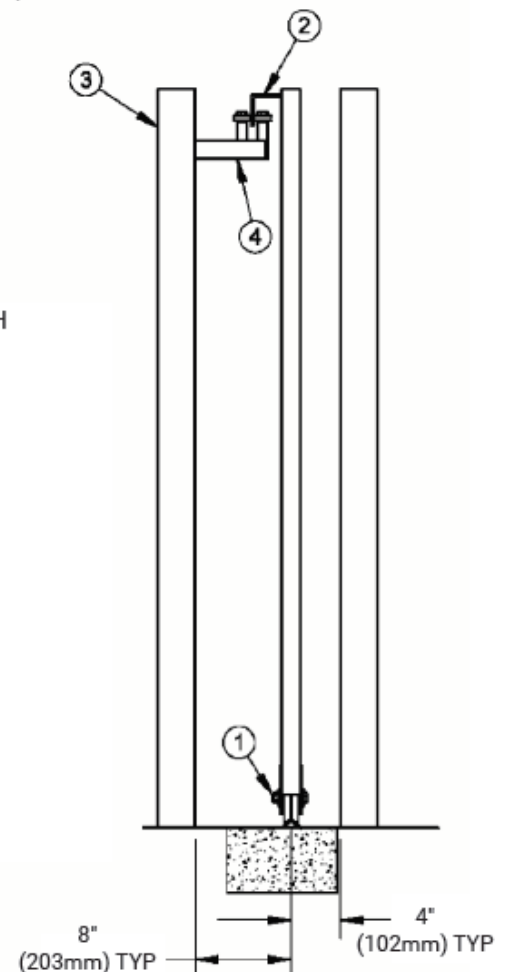
NOTES:

* MOST EFFICIENT SLIDE SYSTEM

WEIGHT BALANCED DIRECTLY OVER TOP OF WHEELS
ALLOWING MAXIMUM USE OF WHEEL'S EFFICIENCY

*GUIDE ASSEMBLY KEEPS GATE IN LINE WITH MINIMUM
FRICTION AS SEALED BEARING WHEELS ALLOW CONTINUOUS
SMOOTH MOVEMENT

*SEVERAL HUNDRED POUND GATES MOVE WITH FINGER
TOUCH EASE



Bottom Rail Cut Out Instructions Guide



Step 1: Cut a "V" notch in your bottom rail using a grinder and 4 1/2x.040x7/8" (114x1x22mm) cutting wheel (or alternative method)

Step 2: Slide 4" (102mm) or 6" (152mm) Wheel with Carriage Plate (CI2500 or CI2700 series) over bottom rail and weld into place. Wheel fits inside bottom rail, resulting in a UL325-compatible installation.

Recommended Bottom Rails:

- 2x4" (51x102mm) Bottom rail recommended for use with the 6" (152mm) Wheel with Carriage Plates for 2" (51mm) Gate Frame (CI2720)
- 1 1/2x3" (38x76mm) Bottom rail recommended for use with the 4" (102mm) Wheel with Carriage Plates for 1 1/2"(38mm) Gate Frame (CI2515)

Chain Link Slide Gate Wheel Installation Guide



Step 1: Align and tack weld Carriage Cap (CI2340 or CI2360) on top of your bottom rail.

Step 2: After Carriage Cap is in place, cut rail off INSIDE of the carriage cap and then complete a full weld on both ends of the carriage cap.

Step 3: Slide either the 4" (102mm) or 6" (152mm) of Wheel with Carriage Plates for 2" (51mm) Gate Frame (CI2520 or CI2720) into the Carriage Cap and weld into position.

